

**Standard Construction and Materials**

**FRAME:** .081" thk. (nominal) extruded aluminum, 6063-T52/T6 alloy. Channel type.

**BLADES:** Stationary blades are made from .081" thk. (nominal) extruded aluminum 6063-T52/T6 alloy. Adjustable Blades are made from .125" thk. (nominal) extruded aluminum 6063-T52/T6 alloy. Blades are approximately 4 1/2" on centers.

**LOUVER FACE:** Full width sill with head and blades contained within jams.

**SHAFT:** .50" dia. aluminum "Pin-Lock" rod.

**LINKAGE:** Extruded aluminum, concealed in the channel out of the airstream. The pivots, which rotate in Celcon bearings, are .50" dia. plated and machined steel. The pivots are locked to the 5/16" dia. aluminum linkage rod by a 1/4 - 20 set screw with epoxy locking patch.

**SEALS:** Extruded silicone rubber seals at blade edge. Foam on bottom blade. Stainless steel at jams.

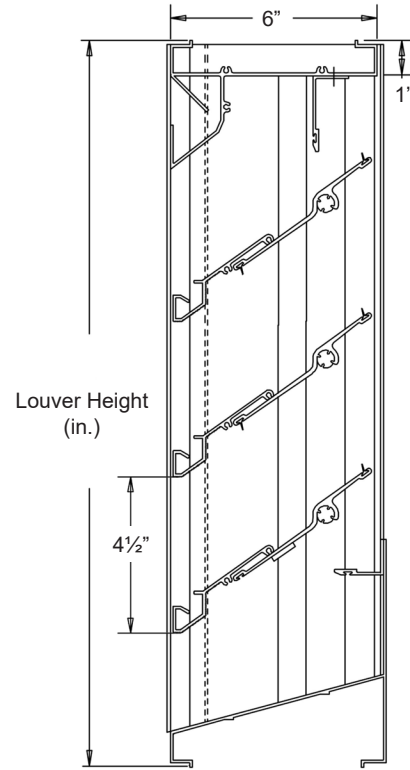
**SCREEN:** (When indicated, in a removable frame)

1/2" flattened aluminum, .051" thk.,

-or- Insect screen 1 9/16" aluminum mesh, .011" dia.,

-or- 1/2" sq. mesh intermediate double crimped aluminum wire, .063" dia.

**FINISH:** Mill.



Not to scale

**Options**

Finishes - Enamels, Epoxies, etc.

Other screens available.

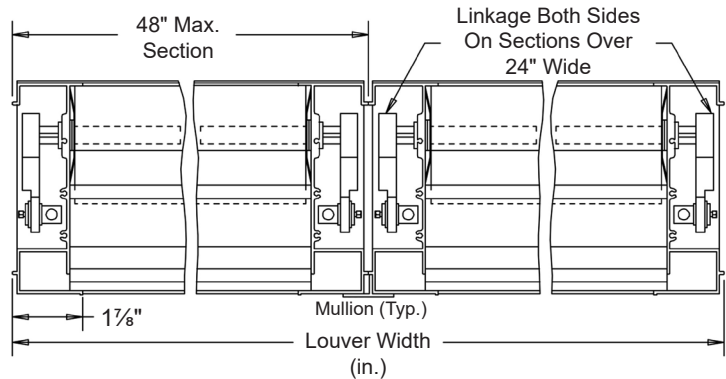
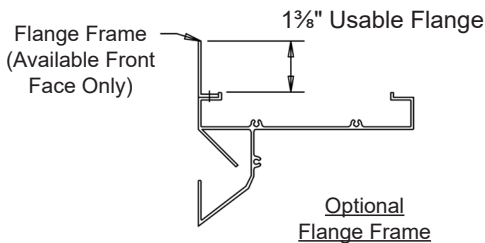
Actuators - Electric, Pneumatic, Manual, etc.

**Notes**

- Nominal deductions will be made to the opening size given.
- Approximate shipping weight is 5.7 lbs./sq.ft.

**Louver Sizes**

| Min Panel   | Max Single Panel |
|-------------|------------------|
| 12"W x 12"H | 48"W x 96"H      |



|               |     |              |        |             |        |         |      |          |   |
|---------------|-----|--------------|--------|-------------|--------|---------|------|----------|---|
|               |     |              |        |             |        |         |      |          |  |
| Item #        | Qty | Width        | Height | Width       | Height | Mullion | Type | Location |   |
|               |     | Opening Size |        | Louver Size |        | Screens |      |          | Union Made  |
| Arch. / Eng.: |     |              |        |             |        | EDR:    | ECN: | Job:     |   |
| Contractor:   |     |              |        |             |        |         |      |          |   |
| Project:      |     |              |        |             |        | Date:   | DWN: | DWG:     |   |

In the interest of product development, CESCO Products reserves the right to make changes without notice.

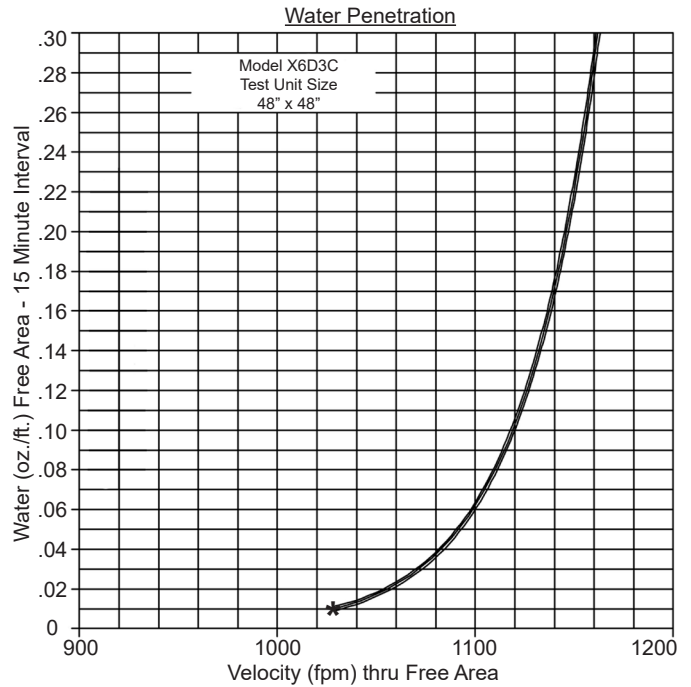
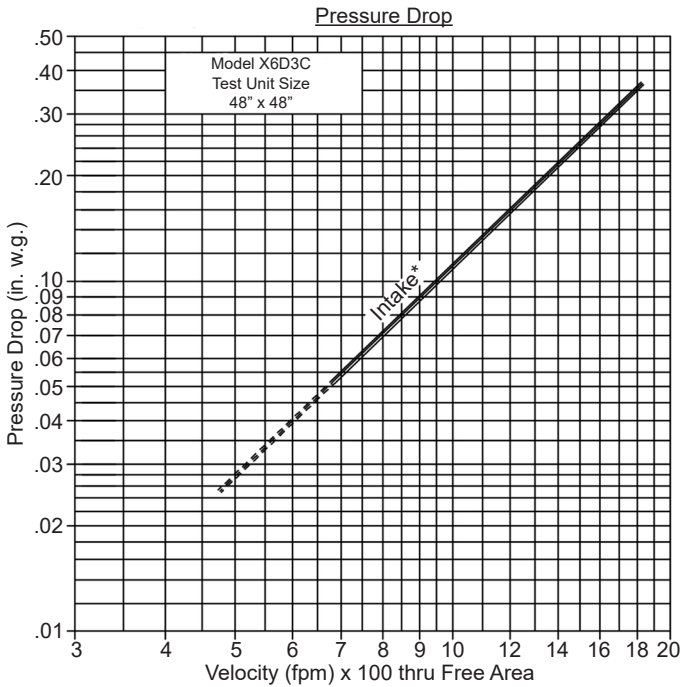


450 Riverside Dr • Wyalusing PA, 18853  
 Phone: 570-746-1888 • Fax: 570-746-9286  
[www.cescoproducts.com](http://www.cescoproducts.com)

**Performance Data**

Pressure Drop: .11 in. w.g. at 1029 fpm (intake)  
 Free Area: 8.24 sq.ft. = 52% for 48"W x 48"H sample tested in accordance with AMCA Standard 500-L.  
 Beginning Point of Water Penetration: 1029 fpm

Ratings do not include the effects of a screen

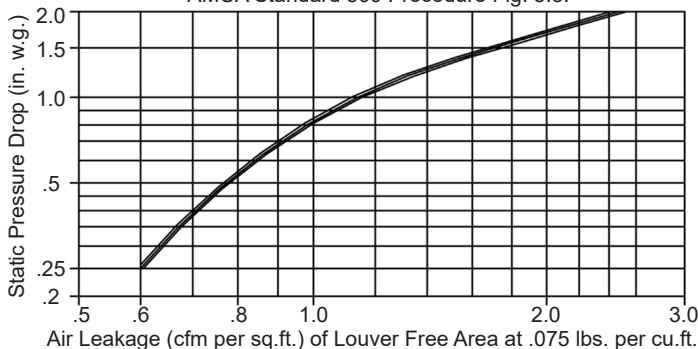


1029 (FPM) Beginning Point of Water Penetration.

|              |     | Free Area (sq.ft.) |      |      |       |       |       |       |
|--------------|-----|--------------------|------|------|-------|-------|-------|-------|
|              |     | Width (in.)        |      |      |       |       |       |       |
|              |     | 12"                | 18"  | 24"  | 30"   | 36"   | 42"   | 48"   |
| Height (in.) | 12" | .14                | .24  | .34  | .45   | .55   | .65   | .76   |
|              | 24" | .64                | 1.12 | 1.60 | 2.08  | 2.55  | 3.03  | 3.51  |
|              | 36" | 1.00               | 1.76 | 2.51 | 3.26  | 4.02  | 4.77  | 5.52  |
|              | 48" | 1.50               | 2.62 | 3.74 | 4.87  | 5.99  | 7.11  | 8.24  |
|              | 60" | 2.00               | 3.50 | 4.99 | 6.49  | 7.99  | 9.49  | 10.99 |
|              | 72" | 2.36               | 4.14 | 5.91 | 7.68  | 9.45  | 11.23 | 13.00 |
|              | 84" | 2.86               | 5.00 | 7.14 | 9.28  | 11.42 | 13.57 | 15.71 |
|              | 96" | 3.36               | 5.87 | 8.39 | 10.91 | 13.43 | 15.94 | 18.46 |

**Air Leakage** with adjustable blade in closed position with a seating torque of 6.25 in.lb./sq.ft. of Louver Face Area. Leakage is based on a test of a 48" x 48" louver.

Air leakage (Louver Installation Position, Intake) is per AMCA Standard 500 Procedure Fig. 5.5.



Cesco Products certifies that the Model X6D3C shown herein is licensed to bear the AMCA seal. The ratings shown are based on tests and procedures performed in accordance with AMCA Publication 511 and comply with the requirements of the AMCA Certified Ratings Program. The AMCA Certified Ratings Seal applies to Air Performance and Water Penetration Ratings only.